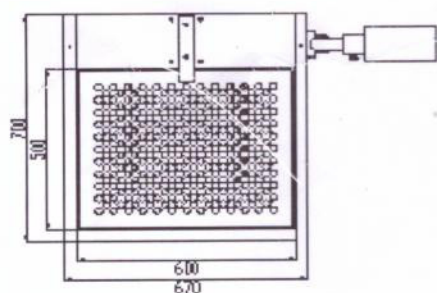
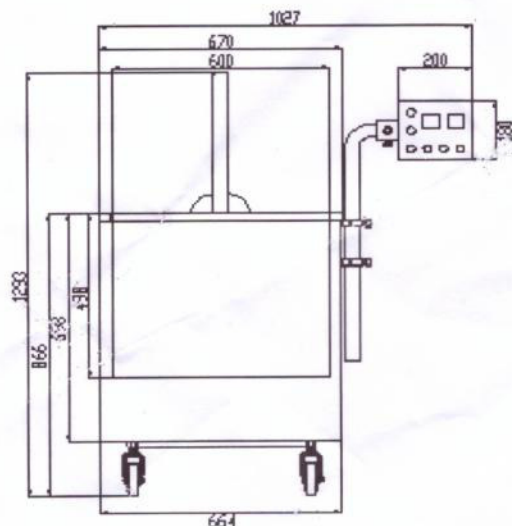


TANQUE DE TERMOENCOGIDO MARCA BBG REF: ST-60

ST-6050 HOT WATER TANK



1. Technical

Voltage	3P 220V 25A	Water tank	0.14m ²
Power	4.5X2KW	Tank dimension	500X600X498mm
Temperature	0-399°C adjustable	Material	SUS304
Control	Auto / Manual	Max load	100KG
Automatic	0-99 seconds adjustable up and down time, start with automatic cycle		
manual	Jog up and down function		
Travel	330mm		
Low level protection	Stop heating when the level is low, and the light will shine		

2. Operation

1、 According to the power cord plugged into a power supply, and reliable grounding.

2、 Press **power**, turn on the light, adjust and set the temperature: press **Set**, press **□** switch the number position, press **△** **▽** increase or decrease the number, sv means the set value, **pv** shows the current temperature. Attention: It takes about 10-20 minutes to reach the set temperature.

3、 Adjust the time controller, set rise and fall time **0 0 s 0 0 s** The first group is fall time, 0-99 s adjustable, the second group is rise time, 0-99 s adjustable.

4、 Switch to **AUTO**, start auto-cycle mode, press **Start**, machine start working. Switch to **Manual**, press **Start**, machine start single cycle mode, if press **Up** and **Down** machine jog up and down.

5、 When the water low to reach the warning level, the temperature controller stop working, meanwhile the light is shining. When you fill the water into the tank, it resume to work.

6、 Press **Emergency**, machine stop working immediately, press **Start** machine reset to the original position.

ST-60